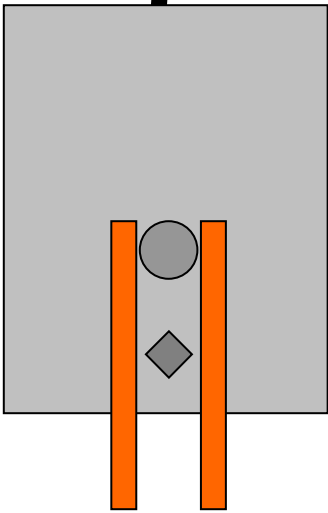
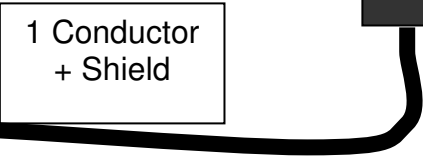
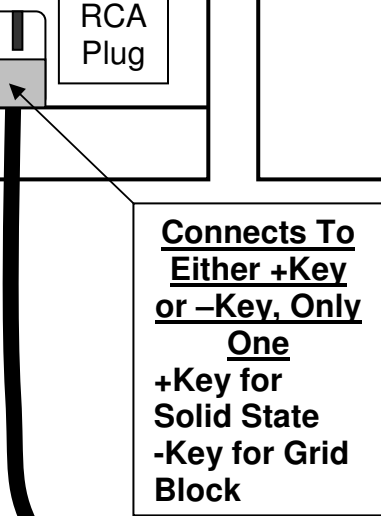
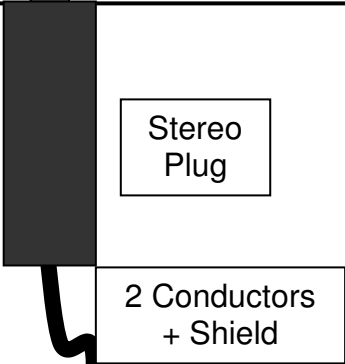
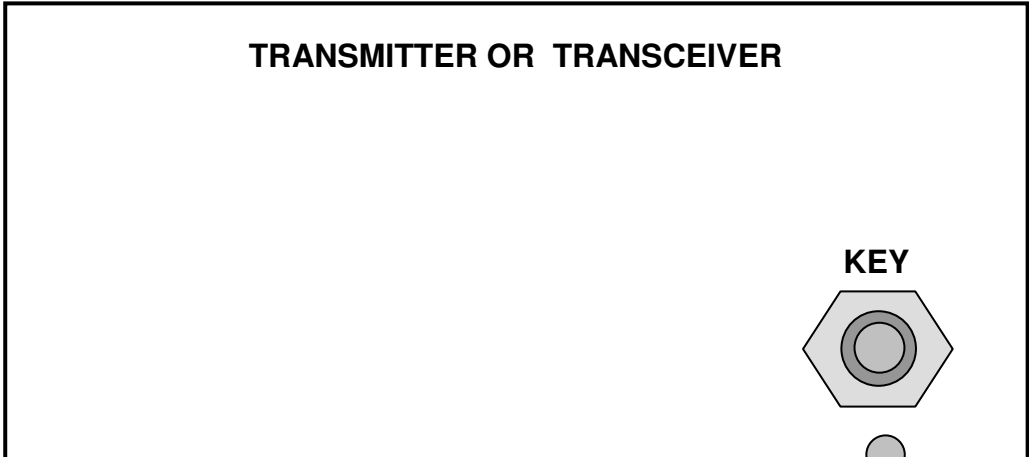
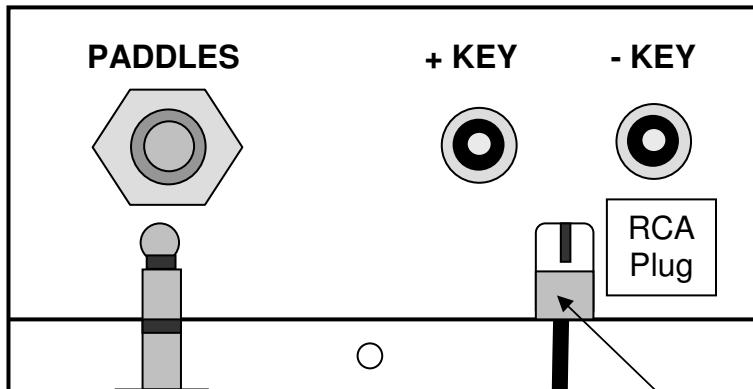


# SMART Keyboard Interface Unit



**Note!**  
It is not necessary to connect paddles if you only wish to use the keyboard!